

Incorporating traditional rotameter precision glass technology, these rugged brass and stainless steel flow meters offer accurate and economical solutions to medium flow range measurements. **V meters** are designed with unique rotatable scales of dual air-water direct reading graduations showing SCFM and L/min (air), as well as GPM and LPM (water) markings.

design features

- ✓ Rigid, compact construction.
- ✓ Dual, rotatable direct reading scales for air and water.
- ✓ Graduations reflect both metric and English systems.
- ✓ Vertical In-line or Panel Mount.
- ✓ Flow ranges from 4 to 20 L/min water and 140 to 900 L/min air.

SPECIFICATIONS

SCALES	Rotatable, direct reading air, (SCFM-L/min) and water (GPM-LPM).
ACCURACY	±5% of full scale.
MAXIMUM TEMPERATURE	250 °F (121 °C).
MAXIMUM PRESSURE	150 psig (@ 200 °F).
CONNECTIONS	3/8" NPT female in line or horizontal rear.

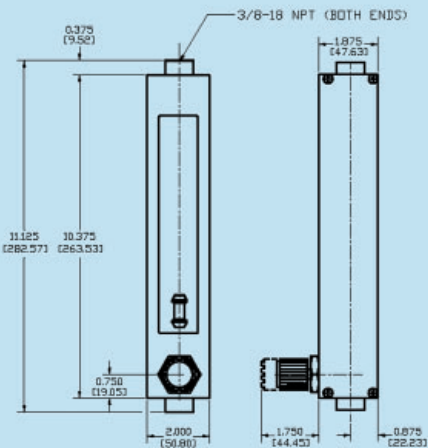
**MATERIALS OF CONSTRUCTION

TUBE SHIELDS	Polycarbonate.
FLOW TUBES	Heavy walled precision formed borosilicate glass.
FLOATS	Type 316 stainless steel.
WETTED PARTS	Brass or type 316 stainless steel.
SEALS	Viton® standard.
OPTIONAL	Viton®, PTFE/Kalrez®/EPR.

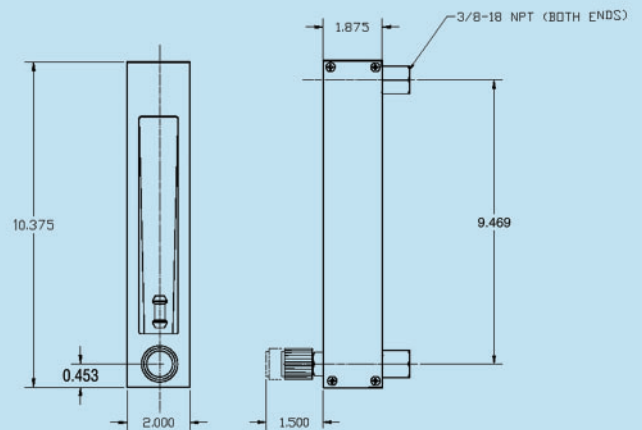
**The selection of materials of construction, is the responsibility of the customer. The company accepts no liability.

Ordering information see page 42.

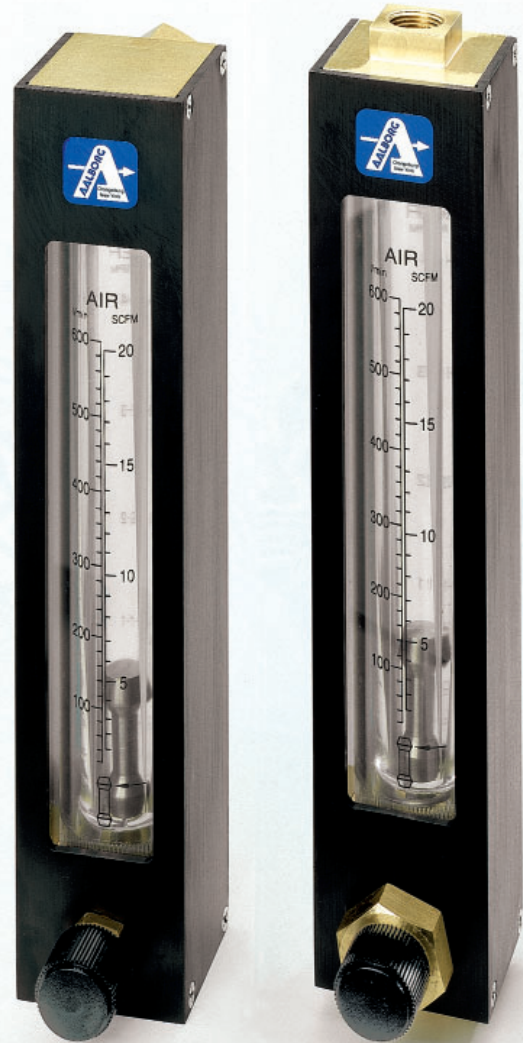
DIMENSIONS (IN LINE MODEL)



DIMENSIONS (PANEL MOUNT MODEL)



Panel Mount Meter with Valve



In-line Meter with Valve

V

MEDIUM RANGE PTFE FLOW METERS

Incorporating traditional variable area precision glass technology, these rugged PTFE flow meters offer accurate and economical solutions to medium flow range measurements. **V meters** are designed with unique rotatable scales of dual air-water direct reading graduations showing SCFM and L/min (air), as well as GPM and LPM (water) markings.

LEAK INTEGRITY

Flow meters are individually tested on a Mass Spectrometer Leak Detector and certified to a leak integrity rating of 1×10^{-7} sccs Helium or better.

SPECIFICATIONS

SCALES	Rotatable, direct reading air, (SCFM-L/min) and water (GPM-LPM). Scale length is 127mm (nominal).
ACCURACY	±5% of full scale.
MAXIMUM TEMPERATURE	150 °F (65 °C.)
MAXIMUM PRESSURE	100 psig (6.7) bars.
CONNECTIONS	3/8" NPT female in line or horizontal rear.
LEAK INTEGRITY	Individually leak tested and certified.

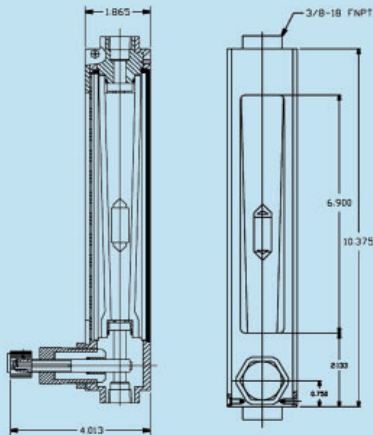
**MATERIALS OF CONSTRUCTION

TUBE SHIELDS	Polycarbonate.
FLOW TUBES	Heavy walled precision formed borosilicate glass.
FLOATS	PTFE.
WETTED PARTS	PTFE, PCTFE..
SEALS	PTFE.

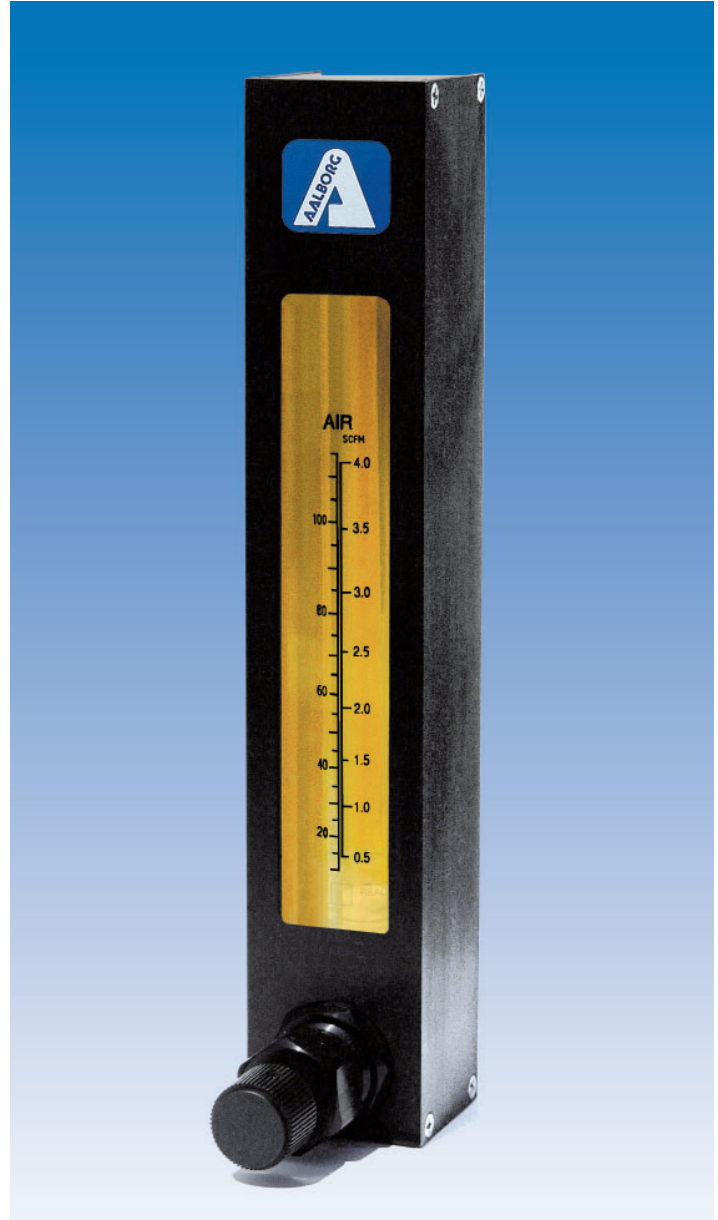
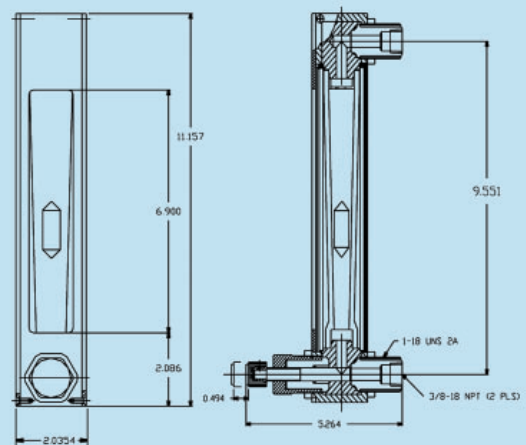
**The selection of materials of construction, is the responsibility of the customer. The company accepts no liability.

Ordering information see page 42.

DIMENSIONS (PANEL MOUNT MODEL)



DIMENSIONS (PANEL MOUNT MODEL)



ORDERING INFORMATION MEDIUM RANGE FLOW METERS



VERTICAL IN LINE						
MODEL NUMBER		END FITTING MATERIAL	MAXIMUM FLOW			
BUILT IN VALVE	NO VALVE		Air		Water	
			SCFM	L/min	GPM	LPM
VIB4-VA-V01-01-ST	VPB3-VA-V01-02-ST	Brass	5	140	1.2	4
VIB4-VA-V02-01-ST	VIB3-VA-V02-01-ST	Brass	10	280	2	8
VIB4-VA-V03-01-ST	VIB3-VA-V03-01-ST	Brass	15	425	3	11.5
VIB4-VA-V04-01-ST	VIB3-VA-V04-01-ST	Brass	20	575	4	15
VIB4-VA-V05-01-ST	VIB3-VA-V05-01-ST	Brass	30	900	5	20
VIS4-VA-V01-01-ST	VIS3-VA-V01-01-ST	316 s.s	5	140	1.2	4
VIS4-VA-V02-01-ST	VIS3-VA-V02-01-ST	316 s.s	10	280	2	8
VIS4-VA-V03-01-ST	VIS3-VA-V03-01-ST	316 s.s	15	425	3	11.5
VIS4-VA-V04-01-ST	VIS3-VA-V04-01-ST	316 s.s	20	575	4	15
VIS4-VA-V05-01-ST	VIS3-VA-V05-01-ST	316 s.s	30	900	5	20

PANEL MOUNT METERS						
MODEL NUMBER		END FITTING MATERIAL	MAXIMUM FLOW			
BUILT IN VALVE	NO VALVE		Air		Water	
			SCFM	L/min	GPM	LPM
VPB4-VA-V01-02-ST	VPB3-VA-V01-02-ST	Brass	5	140	1.2	4
VPB4-VA-V02-02-ST	VPB3-VA-V02-02-ST	Brass	10	280	2	8
VPB4-VA-V03-02-ST	VPB3-VA-V03-02-ST	Brass	15	425	3	11.5
VPB4-VA-V04-02-ST	VPB3-VA-V04-02-ST	Brass	20	575	4	15
VPB4-VA-V05-02-ST	VPB3-VA-V05-02-ST	Brass	30	900	5	20
VPS4-VA-V01-02-ST	VPS3-VA-V01-02-ST	316 s.s	5	140	1.2	4
VPS4-VA-V02-02-ST	VPS3-VA-V02-02-ST	316 s.s	10	280	2	8
VPS4-VA-V03-02-ST	VPS3-VA-V03-02-ST	316 s.s	15	425	3	11.5
VPS4-VA-V04-02-ST	VPS3-VA-V04-02-ST	316 s.s	20	575	4	15
VPS4-VA-V05-02-ST	VPS3-VA-V05-02-ST	316 s.s	30	900	5	20

PTFE VERTICAL IN LINE METERS						
MODEL NUMBER		END FITTING MATERIAL	MAXIMUM FLOW			
BUILT IN VALVE	NO VALVE		Air		Water	
			SCFM	L/min	GPM	LPM
VIT4-TA-V06-01-TF	VIT3-TA-V06-01-TF	PTFE	3.5	100	0.8	3
VIT4-TA-V07-01-TF	VIT3-TA-V07-01-TF	PTFE	7	200	1.5	5.75
VIT4-TA-V08-01-TF	VIT3-TA-V08-01-TF	PTFE	10.5	300	2.2	8.25
VIT4-TA-V09-01-TF	VIT3-TA-V09-01-TF	PTFE	14	400	2.9	11
VIT4-TA-V10-01-TF	VIT3-TA-V10-01-TF	PTFE	17.5	500	3.5	13.25
VIT4-TA-V11-01-TF	VIT3-TA-V11-01-TF	PTFE	22	625	4.1	16

PTFE PANEL MOUNT METERS						
MODEL NUMBER		END FITTING MATERIAL	MAXIMUM FLOW			
BUILT IN VALVE	NO VALVE		Air		Water	
			SCFM	L/min	GPM	LPM
VPT4-TA-V06-02-TF	VPT3-TA-V06-02-TF	PTFE	3.5	100	0.8	3
VPT4-TA-V07-02-TF	VPT3-TA-V07-02-TF	PTFE	7	200	1.5	5.75
VPT4-TA-V08-02-TF	VPT3-TA-V08-02-TF	PTFE	10.5	300	2.2	8.25
VPT4-TA-V09-02-TF	VPT3-TA-V09-02-TF	PTFE	14	400	2.9	11
VPT4-TA-V10-02-TF	VPT3-TA-V10-02-TF	PTFE	17.5	500	3.5	13.25
VPT4-TA-V11-02-TF	VPT3-TA-V11-02-TF	PTFE	22	625	4.1	16

BULLETIN EM20181003 V



DIRECT READING MULTI-GAS FLOW METERS

Incorporating traditional rotameter precision glass technology, these rugged brass and stainless steel flow meters offer accurate and economical solutions to medium flow range measurements.

xV meters are designed with unique rotatable scales in either SCFM or L/min. Each features direct reading scales for 5 gases. (Argon, CO₂, He, N₂, & O₂).

design features

- ✓ Rigid, compact construction.
- ✓ Multi-gas, rotatable direct reading scales for 5 gases.
- ✓ Graduations reflect metric or English systems.
- ✓ Vertical In-line or Panel Mount.

SPECIFICATIONS

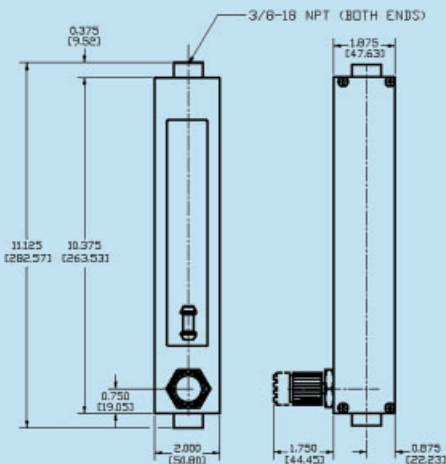
SCALES	Rotatable, direct reading Argon, CO ₂ , He, N ₂ , & O ₂ .
ACCURACY	±5% of full scale.
MAXIMUM TEMPERATURE	250 °F (121 °C).
MAXIMUM PRESSURE	150 psig (@ 200 °F).
CONNECTIONS	3/8" NPT female in line or horizontal rear.

**MATERIALS OF CONSTRUCTION

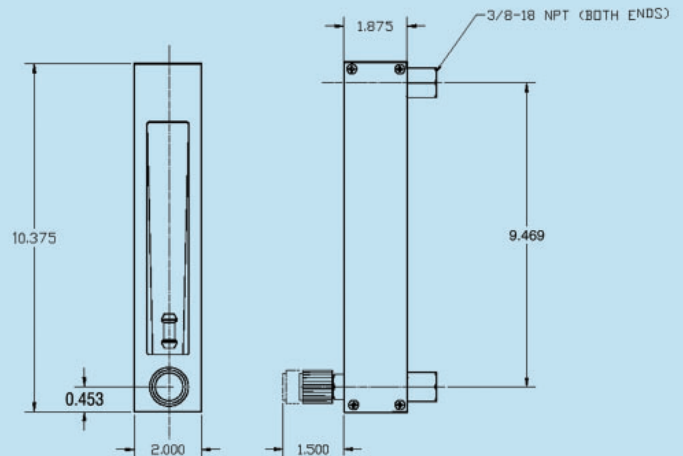
TUBE SHIELDS	Polycarbonate.
FLOW TUBES	Heavy walled precision formed borosilicate glass.
FLOATS	Type 316 stainless steel.
WETTED PARTS	Brass or type 316 stainless steel.
SEALS	Viton® standard.
OPTIONAL:	Buna-N®, PTFE /Kalrez® and EPR.

**The selection of materials of construction, is the responsibility of the customer. The company accepts no liability.

DIMENSIONS (IN LINE MODEL)



DIMENSIONS (PANEL MOUNT MODEL)





VERTICAL IN LINE							
MODEL NUMBER		END FITTING MATERIAL	MAXIMUM FLOW				
BUILT IN VALVE	NO VALVE		SCFM				
			Argon	CO ₂	Helium	Nitrogen	Oxygen
VIB4-VA-V01-03-ST	VIB3-VA-V01-03-ST	Brass	4.2	3.8	12.0	4.5	4.5
VIB4-VA-V02-03-ST	VIB3-VA-V02-03-ST	Brass	8.0	8.0	23.0	9.5	9.0
VIB4-VA-V03-03-ST	VIB3-VA-V03-03-ST	Brass	12.5	12.5	35.0	14.0	14.0
VIB4-VA-V04-03-ST	VIB3-VA-V04-03-ST	Brass	15.5	15.5	42.5	19.0	18.0
VIB4-VA-V05-03-ST	VIB3-VA-V05-03-ST	Brass	26.0	24.0	60.0	30.0	28.0
VIS4-VA-V01-03-ST	VIS3-VA-V01-03-ST	316 s.s	4.2	3.8	12.0	4.5	4.5
VIS4-VA-V02-03-ST	VIS3-VA-V02-03-ST	316 s.s	8.0	8.0	23.0	9.5	9.0
VIS4-VA-V03-03-ST	VIS3-VA-V03-03-ST	316 s.s	12.5	12.5	35.0	14.0	14.0
VIS4-VA-V04-03-ST	VIS3-VA-V04-03-ST	316 s.s	15.5	15.5	42.5	19.0	18.0
VIS4-VA-V05-03-ST	VIS3-VA-V05-03-ST	316 s.s	26.0	24.0	60.0	30.0	28.0

VERTICAL IN LINE							
MODEL NUMBER		END FITTING MATERIAL	MAXIMUM FLOW				
BUILT IN VALVE	NO VALVE		L/min				
			Argon	CO ₂	Helium	Nitrogen	Oxygen
VIB4-VA-V01-05-ST	VIB3-VA-V01-05-ST	Brass	120	105	350	130	130
VIB4-VA-V02-05-ST	VIB3-VA-V02-05-ST	Brass	230	220	650	270	260
VIB4-VA-V03-05-ST	VIB3-VA-V03-05-ST	Brass	360	360	1000	400	400
VIB4-VA-V04-05-ST	VIB3-VA-V04-05-ST	Brass	440	440	1250	550	525
VIB4-VA-V05-05-ST	VIB3-VA-V05-05-ST	Brass	750	700	1800	850	800
VIS4-VA-V01-05-ST	VIS3-VA-V01-05-ST	316 s.s	120	105	350	130	130
VIS4-VA-V02-05-ST	VIS3-VA-V02-05-ST	316 s.s	230	220	650	270	260
VIS4-VA-V03-05-ST	VIS3-VA-V03-05-ST	316 s.s	360	360	1000	400	400
VIS4-VA-V04-05-ST	VIS3-VA-V04-05-ST	316 s.s	440	440	1250	550	525
VIS4-VA-V05-05-ST	VIS3-VA-V05-05-ST	316 s.s	750	700	1800	850	800

PANEL MOUNT METERS							
MODEL NUMBER		END FITTING MATERIAL	MAXIMUM FLOW				
BUILT IN VALVE	NO VALVE		SCFM				
			Argon	CO ₂	Helium	Nitrogen	Oxygen
VPB4-VA-V01-04-ST	VPB3-VA-V01-04-ST	Brass	4.2	3.8	12.0	4.5	4.5
VPB4-VA-V02-04-ST	VPB3-VA-V02-04-ST	Brass	8.0	8.0	23.0	9.5	9.0
VPB4-VA-V03-04-ST	VPB3-VA-V03-04-ST	Brass	12.5	12.5	35.0	14.0	14.0
VPB4-VA-V04-04-ST	VPB3-VA-V04-04-ST	Brass	15.5	15.5	42.5	19.0	18.0
VPB4-VA-V05-04-ST	VPB3-VA-V05-04-ST	Brass	26.0	24.0	60.0	30.0	28.0
VPS4-VA-V01-04-ST	VPS3-VA-V01-04-ST	316 s.s	4.2	3.8	12.0	4.5	4.5
VPS4-VA-V02-04-ST	VPS3-VA-V02-04-ST	316 s.s	8.0	8.0	23.0	9.5	9.0
VPS4-VA-V03-04-ST	VPS3-VA-V03-04-ST	316 s.s	12.5	12.5	35.0	14.0	14.0
VPS4-VA-V04-04-ST	VPS3-VA-V04-04-ST	316 s.s	15.5	15.5	42.5	19.0	18.0
VPS4-VA-V05-04-ST	VPS3-VA-V05-04-ST	316 s.s	26.0	24.0	60.0	30.0	28.0

PANEL MOUNT METERS							
MODEL NUMBER		END FITTING MATERIAL	MAXIMUM FLOW				
BUILT IN VALVE	NO VALVE		L/min				
			Argon	CO ₂	Helium	Nitrogen	Oxygen
VPB4-VA-V01-06-ST	VPB3-VA-V01-06-ST	Brass	120	105	350	130	130
VPB4-VA-V02-06-ST	VPB3-VA-V02-06-ST	Brass	230	220	650	270	260
VPB4-VA-V03-06-ST	VPB3-VA-V03-06-ST	Brass	360	360	1000	400	400
VPB4-VA-V04-06-ST	VPB3-VA-V04-06-ST	Brass	440	440	1250	550	525
VPB4-VA-V05-06-ST	VPB3-VA-V05-06-ST	Brass	750	700	1800	850	800
VPS4-VA-V01-06-ST	VPS3-VA-V01-06-ST	316 s.s	120	105	350	130	130
VPS4-VA-V02-06-ST	VPS3-VA-V02-06-ST	316 s.s	230	220	650	270	260
VPS4-VA-V03-06-ST	VPS3-VA-V03-06-ST	316 s.s	360	360	1000	400	400
VPS4-VA-V04-06-ST	VPS3-VA-V04-06-ST	316 s.s	440	440	1250	550	525
VPS4-VA-V05-06-ST	VPS3-VA-V05-06-ST	316 s.s	750	700	1800	850	800

BULLETIN EN20181003 XV